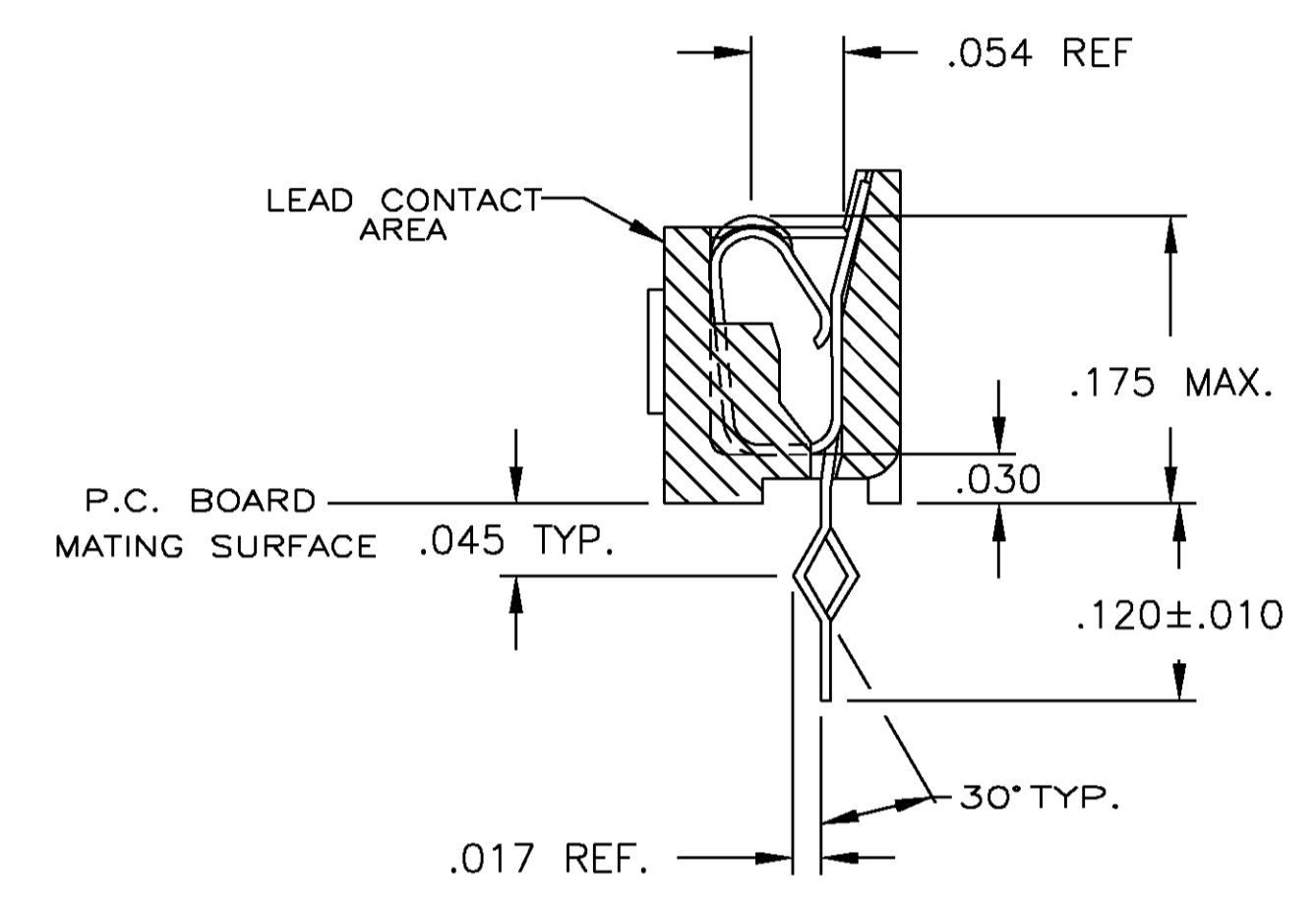
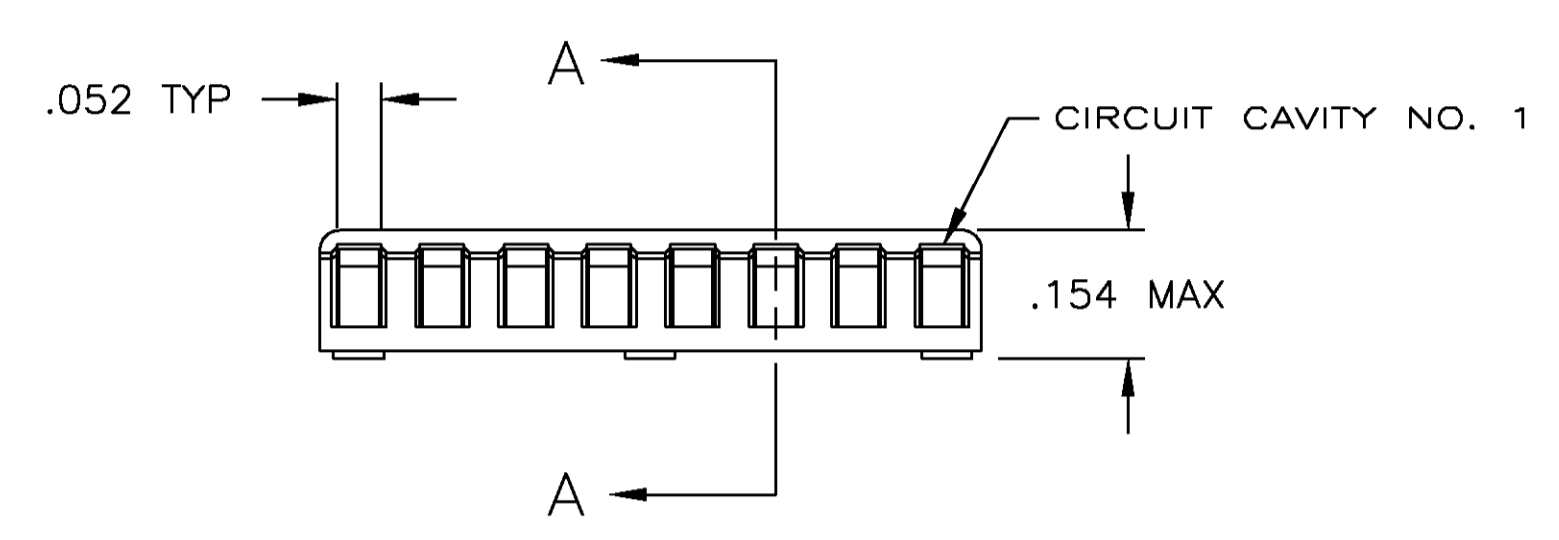
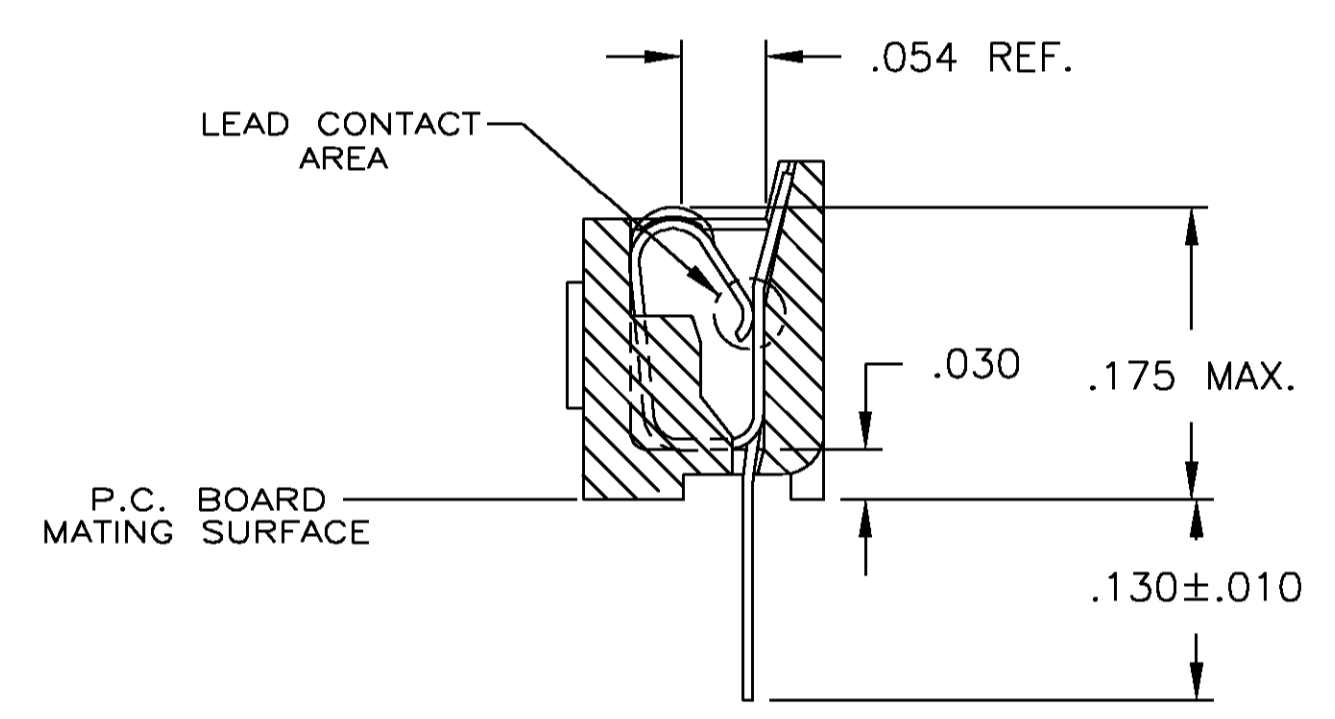
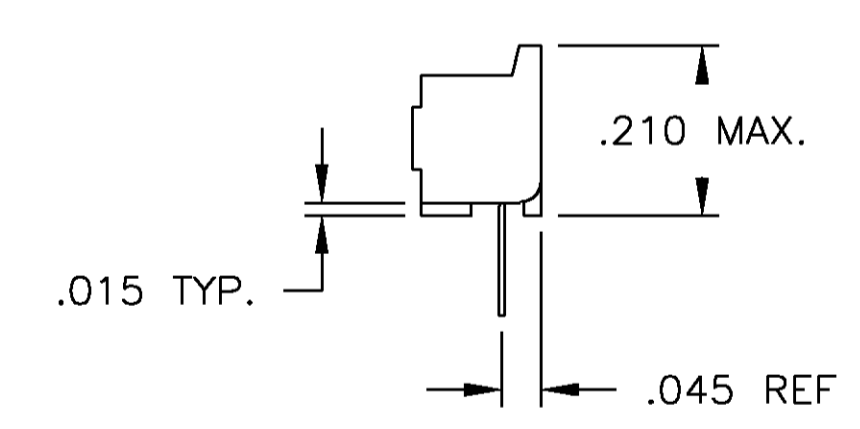
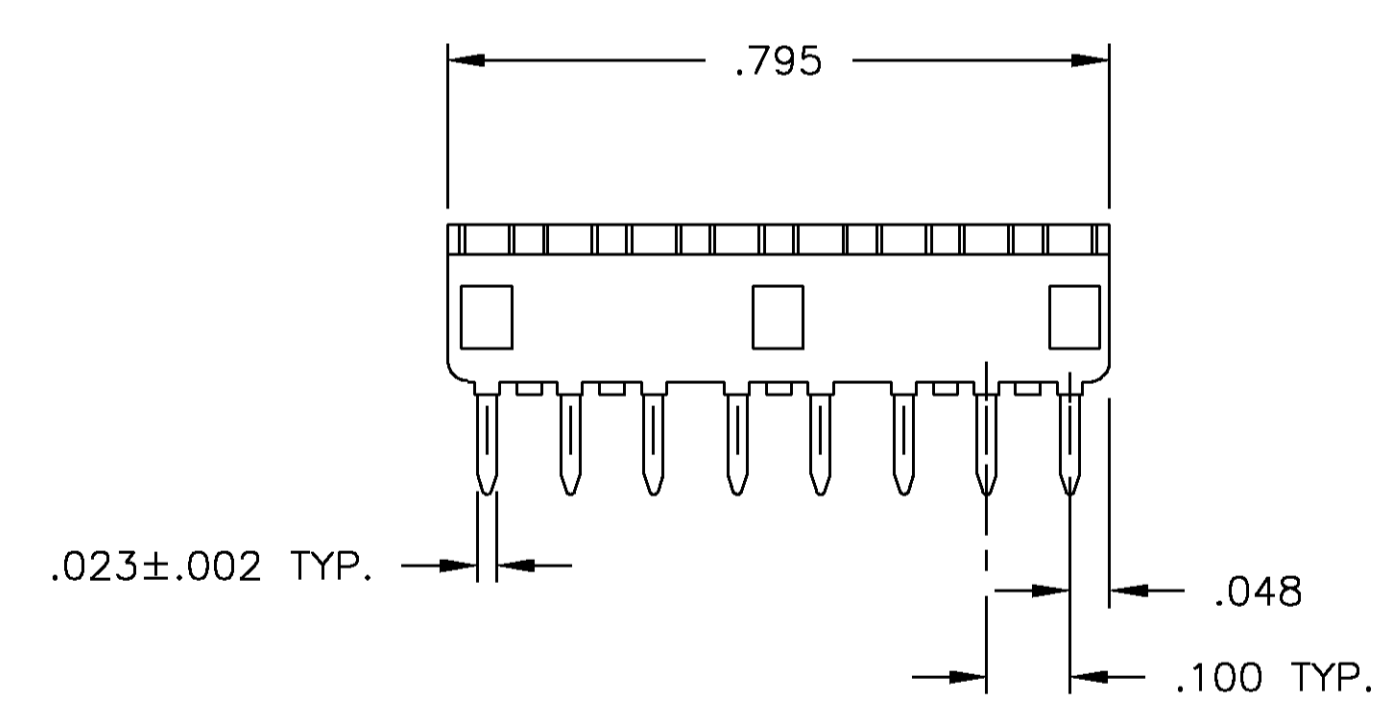


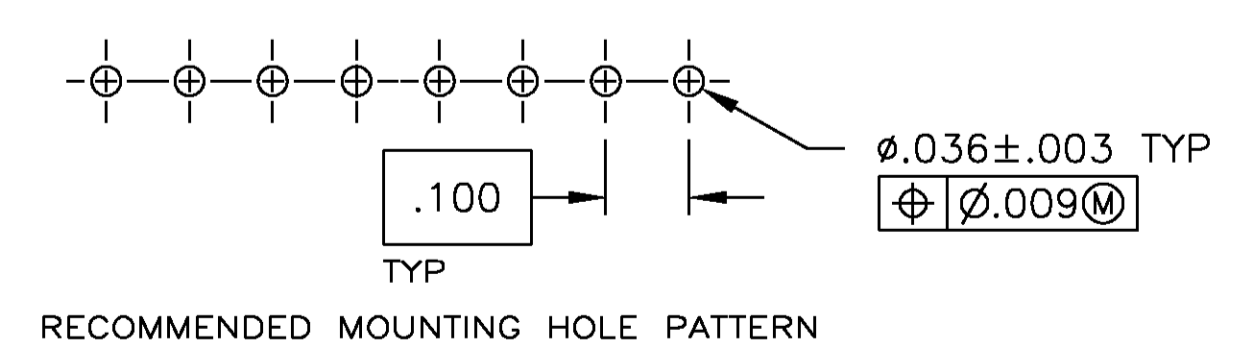
LOC		DIST		REVISIONS			
P	LN	REV	PER	DESCRIPTION	DATE	BY	APP'D
M				REV PER 0G3C-0214-99	24AUG00	BH	HW



SECTION A-A
 ROTATED 90° CW
 SCALE 10:1
 FOR -6, -7 & -8 ONLY



SECTION A-A
 ROTATED 90° CW
 SCALE 10:1
 FOR -1, -2 & -3 ONLY



- RECEPTACLE ACCEPTS AN .008-.014 THK. I.C. LEAD.
- TWO .000030 MIN.THK.GOLD STRIPES IN CONTACT AREA, TIN-LEAD(93-7) ON CONTACT LEGS, BALANCE OF CONTACT NICKEL PLATED.
- TWO .000015 MIN.THK.GOLD STRIPES IN CONTACT AREA, TIN-LEAD(93-7) ON CONTACT LEGS, BALANCE OF CONTACT NICKEL PLATED.

CONTACT FINISH	CONTACT MAT'L	HOUSING MATERIAL	PART NO.
TINNED	PHOS.BRZ.	GLASS-FILLED THERMOPLASTIC, 94V-0, BLACK	643640-8
OBSELETE	BE.CU.	GLASS-FILLED THERMOPLASTIC, 94V-0, BLACK	643640-7
TINNED	BE.CU.	GLASS-FILLED THERMOPLASTIC, 94V-0, BLACK	643640-6
SUPSD BY 643640-2	PHOS.BRZ.	GLASS-FILLED THERMOPLASTIC, 94V-0, BLACK	643640-4
OBSELETE	PHOS.BRZ.	GLASS-FILLED THERMOPLASTIC, 94V-0, BLACK	643640-3
	BE.CU.	GLASS-FILLED THERMOPLASTIC, 94V-0, BLACK	643640-2
TINNED	BE.CU.	GLASS-FILLED THERMOPLASTIC, 94V-0, BLACK	643640-1

THIS DRAWING IS A CONTROLLED DOCUMENT.		DRN M.CYRUS 8-14-84	AMP Tyco Electronics Corporation Harrisburg, PA 17105
		DR N.JONES 7-3-84	
		APVD J.GRAY 7-10-84	SOCKET ASSY, SIP, 8 POS, DIPLOMATE DL
		PRODUCT SPEC 108-1066	
		APPLICATION SPEC 114-1049	SIZE A1 CAGE CODE 00779 DRAWING NO 643640
		WEIGHT	
MATERIAL SEE TABLE		FINISH SEE TABLE	CUSTOMER DRAWING
		SCALE 5:1	SHEET 1 OF 1 REV M